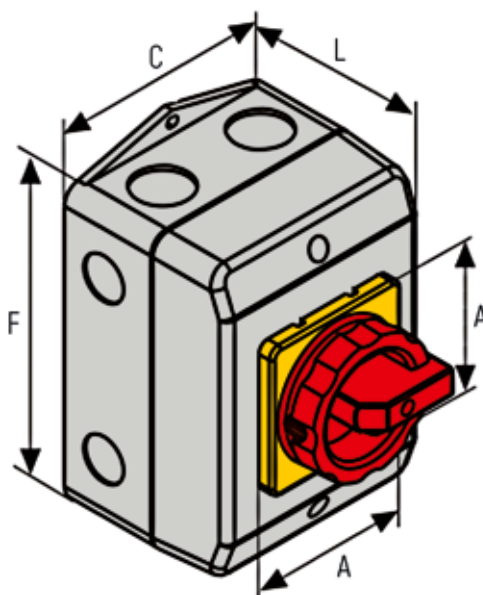


ENCLOSURE



DIMENSIONS (in mm)



Type	A	C	F	L	Knockouts
16A-40A	66	100	140	81	4 x M25 4 x M20
63A-80A	66	146	176	104	4 x M32/40 4 x M20
100A-125A	90	302	212	137	4 x M50/63 6 x M20
180A-250A	125	373	373	230	2 x M40/63 2 x M32/50 4 x M25/40