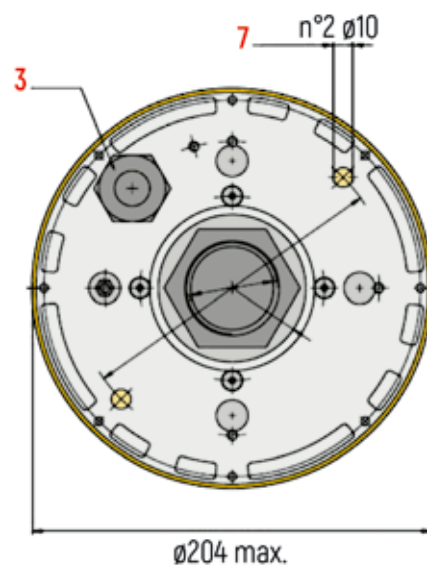
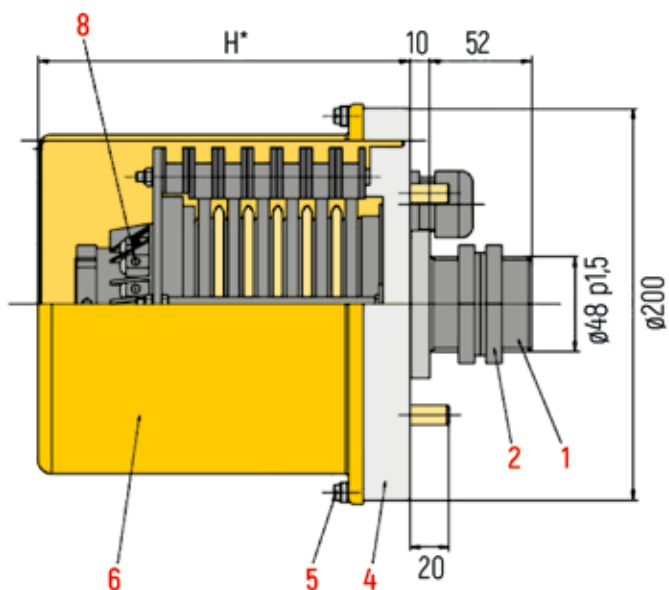


## PRS



ADIMENSIONS (in mm)



* H	20A-Version	Total rings	30A-Version	Total rings	50A-Version	Total rings
192	G PRS B6	6	G PRS C4L	4	G PRS D4L	4
192	G PRS B9	9	G PRS C6L	6		
252	G PRS B12	12	G PRS C8L	8	G PRS D6L	6
252	G PRS B15	15	G PRS C10L	10		
312			G PRS C12L	12	G PRS D8L	8
312			G PRS C14L	14	G PRS D10L	10

- 1 Central transfer pipe
- 2 Counter locknuts
- 3 Cable Screw Glands
- 4 Housing base part
- 5 Fixing screws for cover
- 6 Cover
- 7 Fixation bolts, torque stop
- 8 Screw terminals rings